
HYPER SCADA SERVER (HSS001)

DATA FLOW SYSTEMS IS PROUD TO INTRODUCE A REVOLUTIONARY APPROACH TO THE SCADA SERVER – A SELF-CONTAINED, MODULARIZED, SCADA SERVER PACKAGED IN A PROTECTIVE WALL-MOUNTED ENCLOSURE.

The HSS001 is the baseline model of a line of state-of-the-art network-based SCADA system servers offered by Data Flow Systems.

With support for up to four independent radio frequencies, up to 2,020 Remote Terminal Units (RTUs), and several communication protocols, our SCADA servers are ready to operate right out of the box. The self-contained design of our SCADA system servers isolates the critical remote equipment polling, data collection, storage, and information serving functions from the operator interface using Client-Server Architecture. Data is readily available to operators, supervisors, and managers throughout the utility, enabling them to make fast and effective decisions.

The Hyper SCADA Server offers the power and speed of networking, stability and reliability that you expect in a server and the versatility to expand without costly license upgrades. All SCADA Software upgrades are provided free of charge for the life of the system.



FEATURES AT A GLANCE

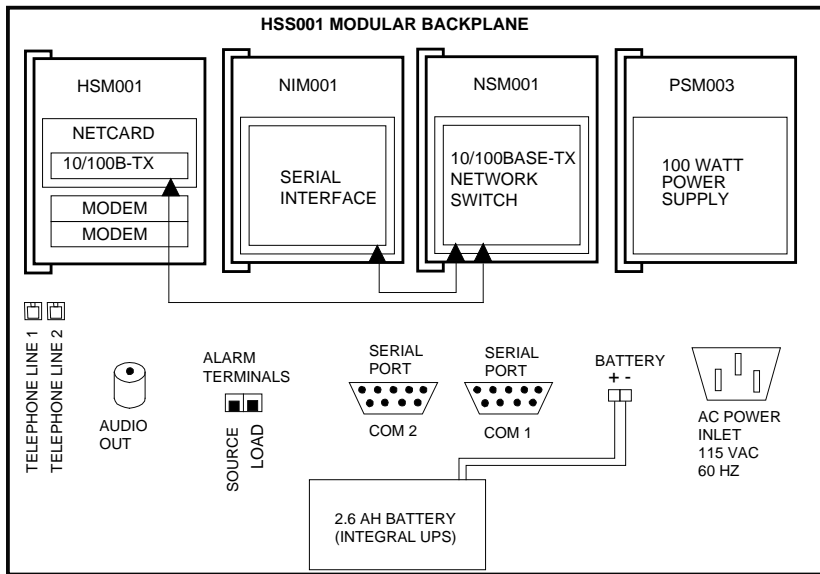
- Integrated Hardware & Software Solution
- HT4 SCADA Software Program
- HT4 Mobile
- Unlimited I/O Point-Count License
- Unlimited Development / Client Licenses
- Connects to MS Windows-Based PC(s)
- Internet Browser-Based HMI (user interface)
- Linux OS (transparent to user)
- SQL Realtime & Historical Database
- Automated RTU HMI Screen Generator
- Custom Screen Builder Program & Tools
- Ladder Logic Program Builder
- Built-in Trending Tool
- Multiple Modbus Protocols Supported
- Ethernet, TCP/IP, PPP Interfaces
- Two (2) Driver-Configurable 9-Pin Serial Ports
- Nine (9) Pre-Configured Data Reports
- Integrated 911 & 411 Modems/Software
- Integrated UPS / Back-up Battery
- Interactive Help & User Guide
- Lifetime SCADA Software Warranty
- Free SCADA Software Updates



SPECIFICATIONS

Model	HSS001
Enclosure Size	13"W x 13"H x 7"D
Supply Voltage	115 VAC - 60 Hz
Power Consumption	100 Watts
Environment	41° -86° F (5° - 30° C) Moisture-Free
Network Interface	10/100base-TX
Network Protocol	TCP/IP
Dial-up Connection	PPP
Communication Protocols	DFS TAC II, DFP, Modbus ASCII, Modbus RTU, Modbus TCP

HARDWARE DIAGRAM



WARRANTY

This product carries a one (1) year return-to-factory warranty against defects in material and workmanship. When installed with factory recommended surge protection, the return-to-factory warranty is extended to three (3) years. The extended warranty also covers damage due to lightning and surge for the entire three-year period when installed per factory-approved requirements. DFS will repair or replace at its option, F.O.B. Melbourne, Florida, any part or parts of this product during the warranty period. A Return Authorization (RA) must be obtained by contacting the DFS Factory Repair Center at 321-259-5009 or by email at rma@dataflowsys.com.